

Atlas Copco



E-Air VSD range

Electric mobile air compressors with VSD technology



If you have the power to choose, choose electric

Every now and then, an innovation comes along that changes the industry. Atlas Copco's range of E-Air VSD compressors is a game-changer when it comes to performances, energy-efficiency and versatility. The E-Air's VSD motor is clean, compact, energy-efficient and quiet, while the compressors are easy to install and operate. No emissions, unrivaled efficiency, low noise levels and a plug-and-play design; you can take the E-Air anywhere.

Cost-efficient performance

When on-site power is available, an electric compressor with **VSD technology** is far cheaper to run than a diesel unit. The E-Air's VSD integrated permanent magnet motor offers unmatched performances, at an incredibly **small footprint**. A VSD-driven motor proves its merit when compared to a fixed speed electric model at partial or unload conditions, the state compressors run in 90% of their life. Running at partial load a VSD compressor offers **an efficiency gain of up to 50%**, that is a lot of energy and money saved.

Together with substantial **savings on your preventative maintenance**, only every 2000 hours/2 years, and the absence of diesel engine service, an electric compressor offers **savings of 50% on your operational costs** compared to a diesel model.

Built tough

All component under the bonnet are subject to extreme endurance testing. They are engineered and built with the toughest conditions in mind. The E-Air VSD's permanent magnet motor and electric converter are liquid-cooled and certified to run in ambient temperatures of up to 50°C. Every E-Air is a complete package, including a **standard aftercooler and bypass valve**. Our E-Air VSD compressors are green at heart, but have been built with the same robustness as their diesel counterparts, including HardHat hood and C3-certified bodywork.

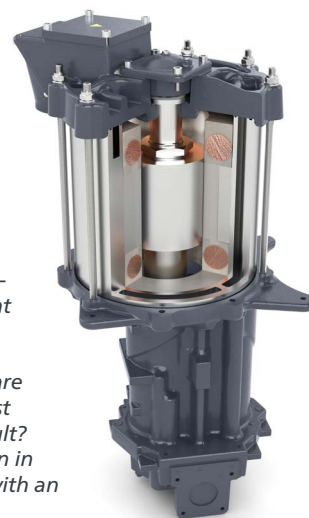
King of versatility

The E-Air compressors with variable speed drive technology have an **electronic pressure regulator** on board (PACE technology), that allows you to control the pressure and increase the flow of the machine. An E-Air with variable speed drive is **multiple machines in one** and its in-house designed permanent magnet motor offers the benefits of **low-current start-up**, low noise levels and excellent performances.

The E-Air can be connected and operated anywhere. **No exhaust** means you can run it in low emission zones, but also in tunnels, underground or any other closed-off environment where up to 30% of the operating costs can be ventilation of engine emissions. An electric motor is also **very quiet**, another feature you'll appreciate in a confined space or a residential area.

Rugged reliability

At the heart of the H250 VSD and H450 VSD is an in-house designed permanent magnet motor. The motor is oil-cooled and the copper windings are potted in resin to keep dust and moisture out. The result? Reliable performance, even in the toughest conditions, with an IP66 rating.



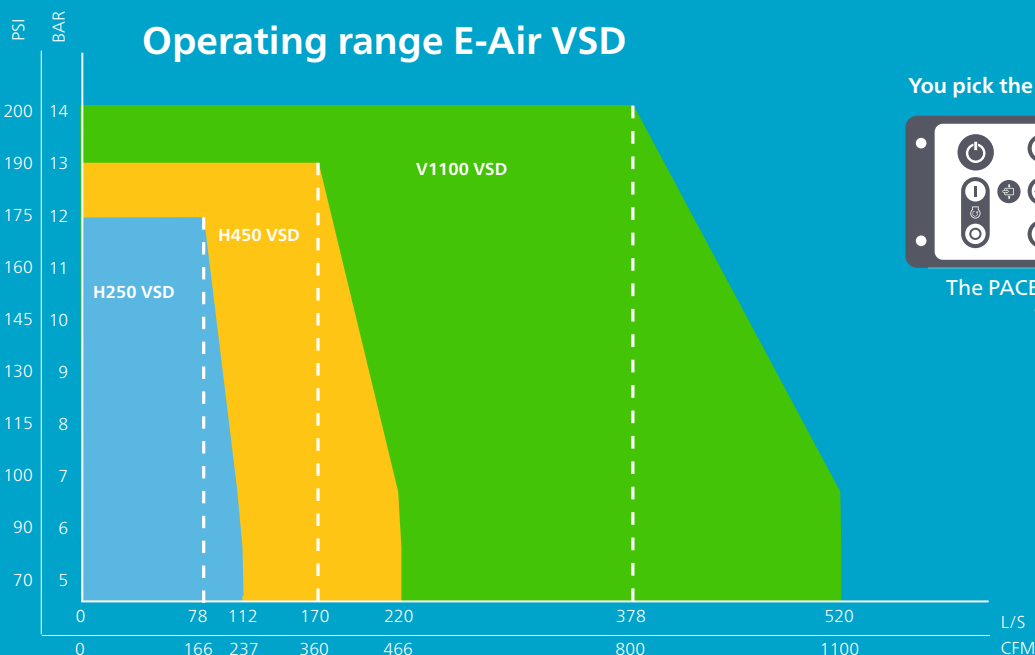


E-Air VSD: Pressure range adjustable with PACE functionality

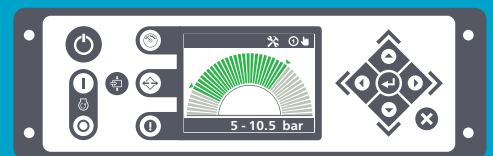
Every **E-Air VSD** comes with PACE technology (Pressure Adjusted through Cognitive Electronics), an electronic pressure regulation system. You select the pressure in the compressor's controller, your application dictates the flow, the PACE controller locks in and regulates the perfect combination. Setting the pressure is a matter of 3 clicks and you can choose a pressure at increments of 0.1 bar.

One compressor can cover the needs of various applications. From 5 bar to run a handheld tool, to 10 bar for sandblasting to up to 14 bar for cable blowing, all with one machine.

A conventional, fixed speed compressor runs at a fixed pressure level, delivering a corresponding maximal flow rate. A PACE compressor however, can deliver additional flow at lower pressure settings. When the load goes down, PACE finetunes the motor speed accordingly, which saves energy... and money.



You pick the pressure in increments of 0.1 bar



The PACE controller locks in, and regulates, the perfect combination!

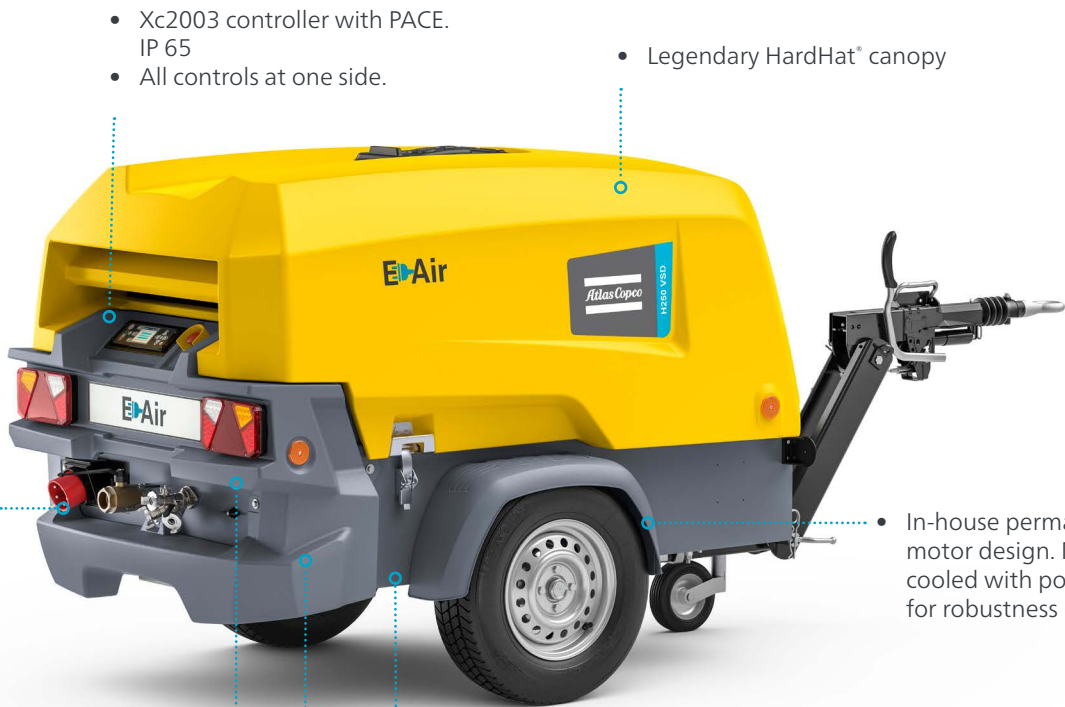
H250 VSD – Truly plug-and-play

Have you ever seen a 7 m³ compressor below 750kg? With the E-Air H250 VSD, you simply tow in reliable performance to any job site, without special driving license.

Thanks to the **in-house designed** permanent magnet motor and air element, this compressor offers best-in-class efficiency. With its smart socket system, the H250 VSD fits on any power connection you may have available, 16A, 32A or 63A. With integrated start-up protection, you set the max amps the machine is allowed to take from the grid and the E-air always complies. Phase sequence problems are also a thing of the past, the E-Air 250 works with any phase sequence combination.

Once the E-Air is on, you won't notice it's running, thanks to noise levels as low as 61 dB(A), which is about the sound level of a normal conversation. This whisper-quiet operation is particularly useful when running the compressor indoors. However, this doesn't mean the H250 VSD is limited to indoor operation. Its award-winning HardHat™ is the most sturdy compressor canopy available and the whole unit, including the controller is rated IP 65.

With an H250 VSD the possibilities are truly endless, also when it comes to applications. The integrated PACE technology allows you to run the machine at an adjustable pressure level (between 5 and 12 bar). Take the E-Air anywhere, plug it in, set the pressure and start the work.



- Xc2003 controller with PACE. IP 65
- All controls at one side.

- Legendary HardHat® canopy

- Smart Socket: choose your current: 16A, 32A or 63A

- In-house permanent magnet motor design. Motor is oil-cooled with potted windings for robustness (IP66)

- Standard aftercooler with bypass valve

- Strong undercarriage made from a single sheet without welding. 110% fluid containment, as standard.

- Water-cooled inverter. IP 66.

UP TO **50%** OPERATIONAL COST SAVINGS, COMPARED TO DIESEL MODELS

15% SMALLER AND LESS THAN 750kg

SMART SOCKET SYSTEM PUTS YOU IN CONTROL!

PACE SYSTEM CONTROL THE PRESSURE AND FLOW

LOW NOISE AND EMISSION ZONE COMPLIANT

PLUG & PLAY

SERVICE ONCE EVERY **2 000 HOURS/ YEARS**

LEGENDARY HARDHAT CANOPY

H450 VSD – Versatility at low cost of ownership

The E-Air H450 VSD features an **in-house developed** drive train with permanent magnet motor and air element that takes this compressor's **efficiency to the next level**. This motor even outperforms the IE4 efficiency levels of an induction fixed speed motor.

The H450 VSD offers more than **unmatched performances**. When you compare its footprint and weight to a diesel machine of a comparable capacity, you'll find that the E-Air is often only **half the size and weight**, and includes a HardHat™ canopy.

This compact compressor is also incredibly versatile: thanks to the **Xc2003 controller with PACE**, you can select a pressure between 5 and 13 bar. You can wire the H450 VSD up without the need for a phase sequence installation and it will start up without peak current.

Servicing the H450 VSD is as easy as operating it. The HardHat hood features a **U-Flex design** with easy and full access to all service points. Service intervals stretch to 2000 hours or 2 years.



<p>UP TO 50% SMALLER THAN CONVENTIONAL COMPRESSORS</p>	<p>PACE SYSTEM CONTROL THE PRESSURE AND FLOW</p>
<p>UP TO 50% LIGHTER THAN CONVENTIONAL COMPRESSORS</p>	<p>UP TO 50% OPERATIONAL COST SAVINGS, COMPARED TO DIESEL MODELS</p>
<p>SERVICE ONCE EVERY 2 000 HOURS/ YEARS</p>	<p>PLUG & PLAY</p>
<p>LOW NOISE AND EMISSION ZONE COMPLIANT</p>	<p>VARIABLE SPEED DRIVE</p>
<p>LEGENDARY HARDHAT® CANOPY</p>	

V1100 VSD

Sheer power, full control

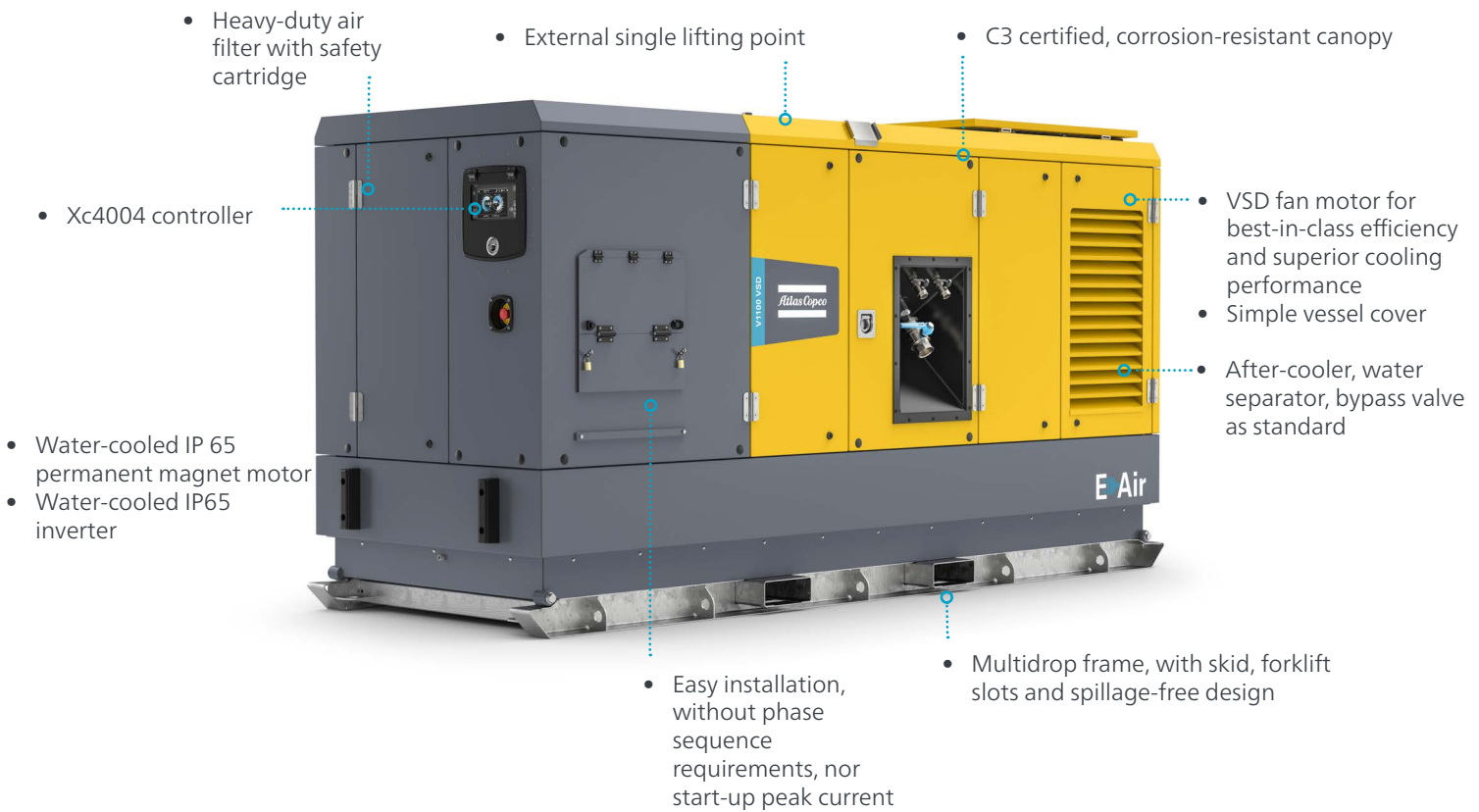
The V1100 VSD is our most powerful mobile electric compressor, which pairs up our renowned Atlas Copco air element with a highly-efficient permanent magnet motor. Both the permanent magnet motor and electric inverter are water-cooled with an IP65 rating. On the V1100 VSD's **easy-to-use Xc4004 controller with PACE technology**, you can set the pressure from 5 to 14 bar, with increments of 0.1 bar. This latest generation controller also shows pressure and flow meters in one 7-inch, anti-glare screen.

All this power comes in a package that **weighs up to 50% less** than a diesel compressor with a comparable capacity and a **footprint that is almost half** of regular VSD compressors.

With the same benefits of **low maintenance requirements** as his little brothers, the V1100 VSD offers significant savings on your operation cost when compared to a diesel compressor.

Service goes fast thanks to a canopy design with **full access to all service points** and a **simple vessel cover** for fast oil separator element changes. Other smart design features such as the VSD-driven fan boost the compressor's efficiency and cooling performance in any climate condition. The dedicated cooling chamber design allows the same cooling performance of 50°C with and without aftercooler running.

This **energy-efficient and compact workhorse** comes with multidrop frame with galvanized skid and forklift slots, outdoor robust canopy with external lifting point and a corrosion-resistant C3 certified coating. It is also equipped with aftercooler and bypass valve as standard for wider applications.



UP TO **50%**
SMALLER
THAN CONVENTIONAL COMPRESSORS

**STANDARD
AFTERCOOLER**

UP TO **50%**
OPERATIONAL COST
SAVINGS, COMPARED TO
DIESEL MODELS

SERVICE
ONCE EVERY
**2 000 HOURS/
YEARS**

UP TO **50%**
LIGHTER
THAN CONVENTIONAL COMPRESSORS

**PACE
SYSTEM**
CONTROL THE
PRESSURE AND FLOW

**LOW NOISE AND
EMISSION
ZONE
COMPLIANT**

**VARIABLE
SPEED DRIVE**

Xc4004
SMART AIR
CONTROLLER



Technical data

		H250 VSD	H450 VSD	V1100 VSD
Working pressure range	Bar (g)	5 - 12	5 - 13	5-14
	Psi (g)	72 - 174	72 -190	72 -200
Socket connection	A	CE Smart Socket, 16, 32, 63A	Powerlock	Terminal board*
Free Air Delivery	m ³ /min	7 - 4,7 (at 63A)	13,2 - 9,72	31.2 - 22,7
	l/s	112 - 78 (at 63A)	220 - 170	520 - 378
	cfm	237 - 166 (at 63A)	466 - 360	1100 - 800
Sound pressure level (LpA) at 7m (23ft)	dB(A)	65	65	70
Max ambient temperature	°C		50	
Motor				
Installed motor power	kW	37	75	208
Voltage	V		350 - 530	
Rated frequency	Hz		50/60	
Dimensions (LxWxH)	mm	2765 x 1346 x 1435 fixed no brakes	3747 x 1593 x 1572 fixed towbar	3470 x 1220 x 1800 skid version
Weight	kg	749	1200	2750

* Powerlock as option

Power Technique Solutions Portfolio

Atlas Copco's Power Technique Business Area has a forward-thinking philosophy. For us, creating customer value is all about anticipating and exceeding your future needs – while never compromising our environmental principles. Looking ahead and staying ahead is the only way we can ensure we are your long term partner.

Air compressors

Ready to go



- 1-5 m³/min
- 7-12 bar

Versatility



- 5.5-22 m³/min
 - 7-20 bar
- *Diesel and electric options available

Productivity partner



- 19-116 m³/min
- 10-345 bar

Handheld tools

Pneumatic tools



- Breakers (2,5 – 40 kg)
- Rockdrills (5 – 25 kg)
- Underground Rock Drills
- Additional Air Tools

Hydraulic tools



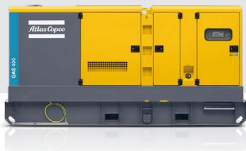
- Breakers (11 – 40 kg)
- Additional Hydraulic Tools
- Powerpacks

Petrol engine driven tools



- Breakers & Tie Tampers (25 kg)
- Rockdrills (23 Kg)

Generators



- Portable
- Mobile
- Industrial

*Multiple configurations available to produce power for any size application

Light towers



- Diesel LED and MH
- Electric LED
- Battery LED

Dewatering pumps



- Submersible
- Surface
- Small portable

*Diesel and electric options available

Photos and illustrations contained herein might depict products with optional and/or extra components which are not included with the standard version of the product and, therefore, are not included in a purchase of such product unless the customer specifically purchases such optional/extra components. We reserve the right to change the specifications and design of products described in this literature without notice. Not all products are available in all markets.