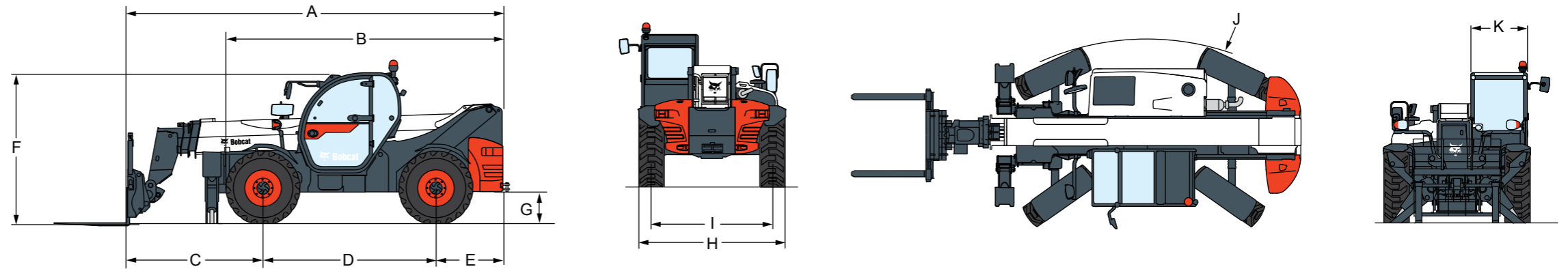


# SPECIFICATIONS

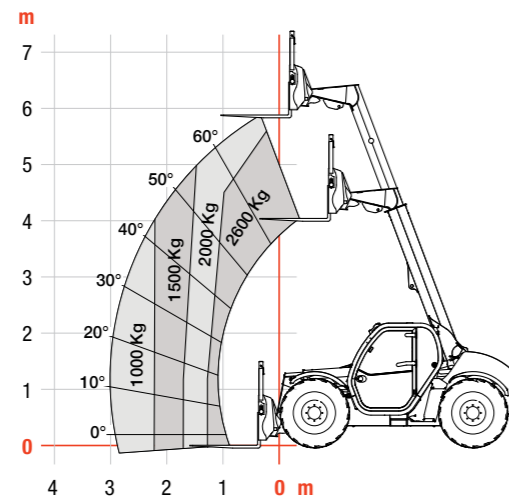


Model		TL30.60	TL30.60	TL30.60	TL35.70	TL38.70HF	TL38.70HF - EXPERT	TL43.80HF	T40.180SLP	T40.180MP
<b>Performance</b>										
Maximum lift height (on 24" tire, stabilizers)	mm	5890	5890	5890	6973	6973	6973	7505	17466	17466
Maximum Lift Capacity	kg	2600	3000	3000	3500	3800	3800	4300	4000	4000
Max forward Reach (24" tires)	mm	3010	3010	3930	3915	3915	3915	4022	13680	13680
Breakout force	kg	4600	4600	4600	6200	6200	6200	7000	12300	12300
Auxiliary Standard Flow	l/min	90	90	90	100	150	150	150	65	65
Operating Weight	kg	4900	5300	5605	7190	7460	7460	8050	10580	10580
<b>Engine</b>										
Engine Model		PERKINS / 1104D -44TA	PERKINS / 1104D -44TA	PERKINS / 1104D -44TA	PERKINS / 1104D -44TA	PERKINS / 1104D -E44TA	PERKINS / 1104D -E44TA	PERKINS / 1104D -44TA	PERKINS / 1104D -44TA	PERKINS / 1104D -44TA
Emission		Stage IIIA	Stage IIIA	Stage IIIA	Stage IIIA	Stage IIIA	Stage IIIA	Stage IIIA	Stage IIIA	Stage IIIA
Horsepower	kW	74.5	74.5	74.5	74.5	96.5	96.5	96.5	74.5	74.5
Horsepower	hp	100	100	100	100	130	130	130	100	100
Fuel Tank	liter	115	115	115	138	138	138	138	145	145
Standard tires		405/70-20"	405/70-20"	400/80-24"	400/80-24"	400/80-24"	460/70-24"	460/70-24"	400/80-24"	400/80-24"
Max Travel Speed- Standard tire	km/h	26.5	26.5	26.5	26	26	26	26	30	30
Max Travel Speed- on option	km/h	31	31	31	40	40	40	30	-	-
Steering modes		4 steering modes with automatic wheel realignment 2 wheel steering / 4 wheel steering / Crab-steer / Semi-crab steer (optional)						3 steering modes with semi-automatic wheel alignment: 2 wheels, 4 wheels, crab.		
<b>Configuration</b>										
Compact stabilizers		-	-	-	-	-	-	-	○	○
Frame leveling		-	-	-	-	-	-	-	○	○
Boom positioning system (built-in side-shift system)		-	-	-	-	-	-	-	○	○
Frame tilt angle	deg	-	-	-	-	-	-	-	+/- 4	+/- 4
<b>Dimension</b>										
A Overall length to forks face	mm	4507	4507	5035	4869	4869	4869	4975	6220	6220
B Overall length to front tires	mm	4035	4035	4185	4058	4058	4058	4256	4950	4950
C Length from front axle to forks face	mm	1020	1020	1400	1356	1356	1356	1352	2263	2263
D Wheelbase	mm	2820	2820	2820	2870	2870	2870	2870	2850	2850
E Length from rear axle to machine rear	mm	667	667	818	643	643	643	754	1107	1107
F Overall height std cab	mm	Low Cab: 2140	High Cab: 2290	High Cab: 2290	2373	2373	2373	2373	2520	2520
G Ground Clearance	mm	264	264	264	346	346	346	430	509	509
H Width over standard tires	mm	2100	2100	2100	2300	2300	2400	2400	2418	2418
Overall width with stabilizers fully deployed	mm	-	-	-	-	-	-	-	2619	2619
I Track width (front & rear)	mm	1666	1666	1666	1895	1895	1895	1895	1992	1992
J External turning radius at tires	mm	3717	3717	3717	3714	3714	3714	3714	4150	4150
K Outside width of Cab	mm	930	930	930	1013	1013	1013	1013	930	930
BPS Lateral amplitude	deg	-	-	-	-	-	-	-	+/- 675	+/- 675

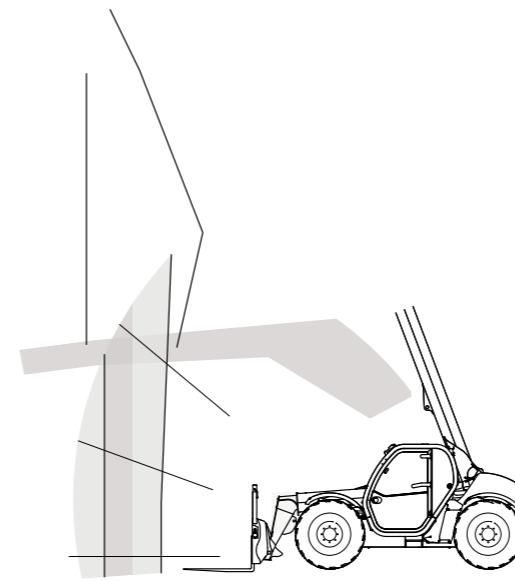
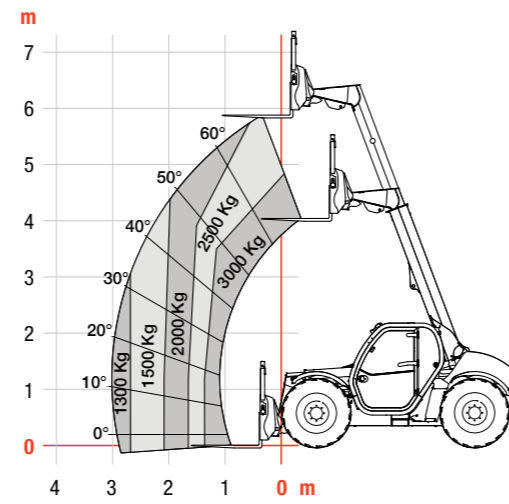
Specification(s) are provided for comparison purposes only and are subject to change without notice.

# COMPACT

TL26.60



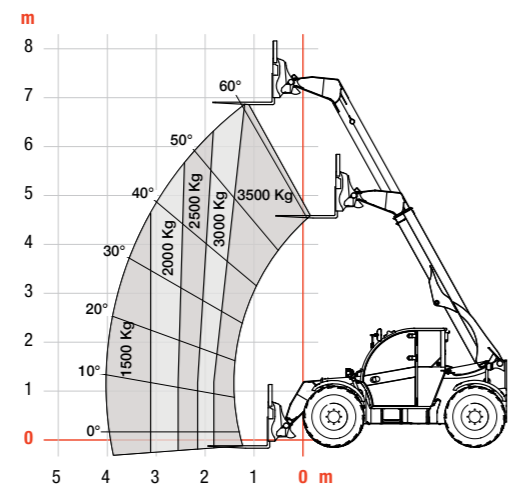
TL30.60



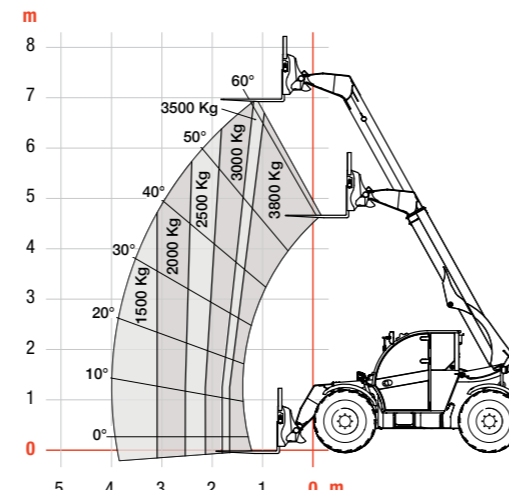
MEMO

# LARGE

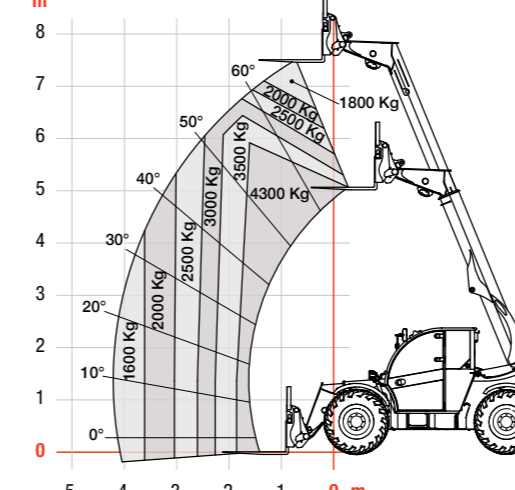
TL35.70



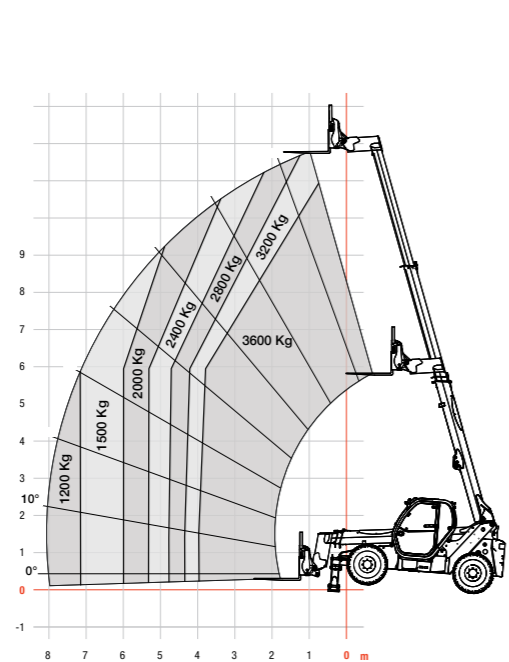
TL38.70HF



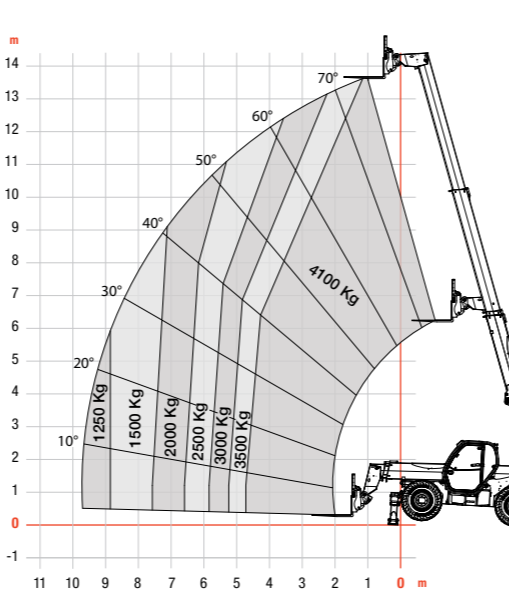
TL43.80HF



# HIGH LIFT HEIGHT



T41.140SLP



T40.180SLP

